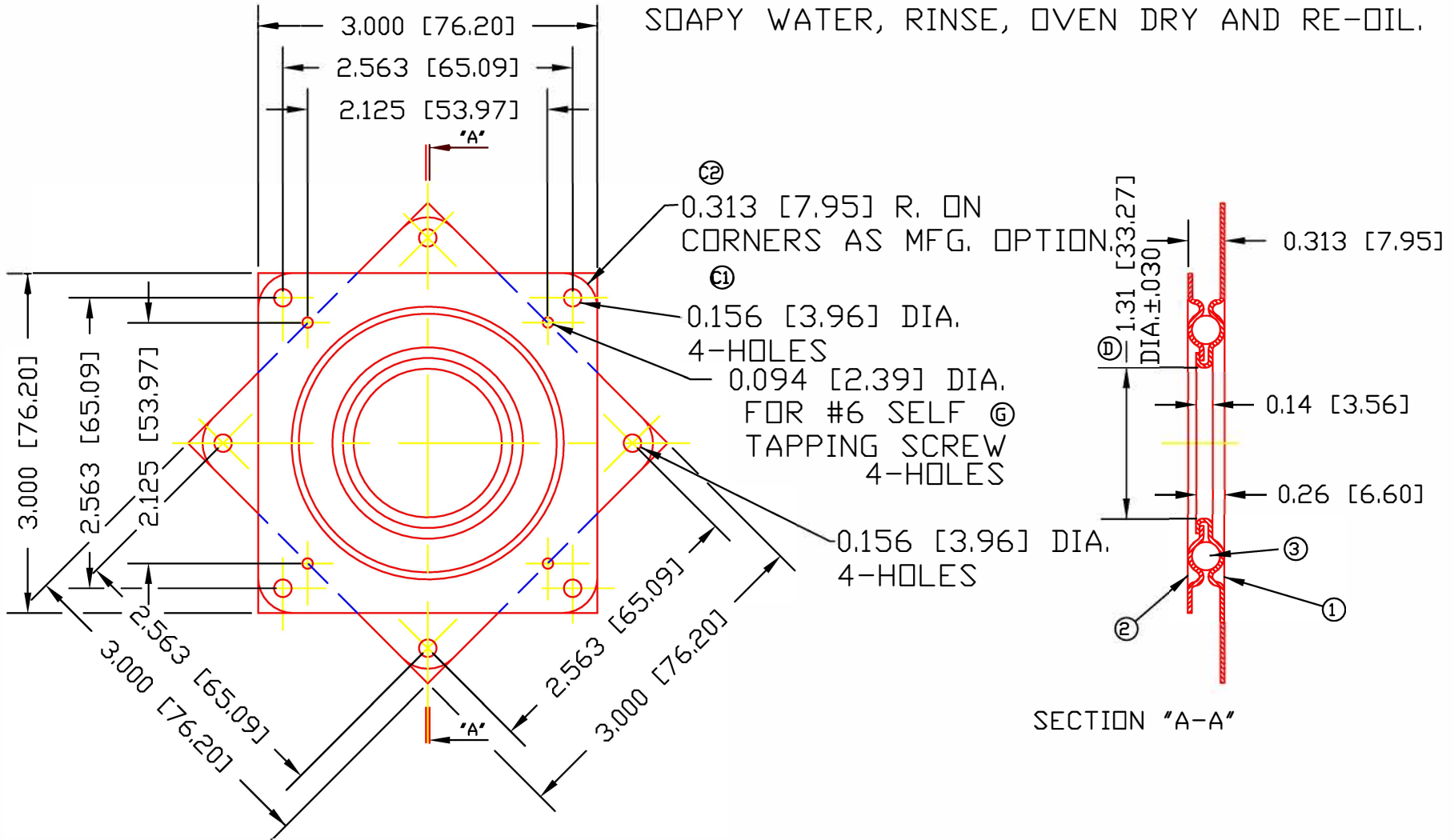


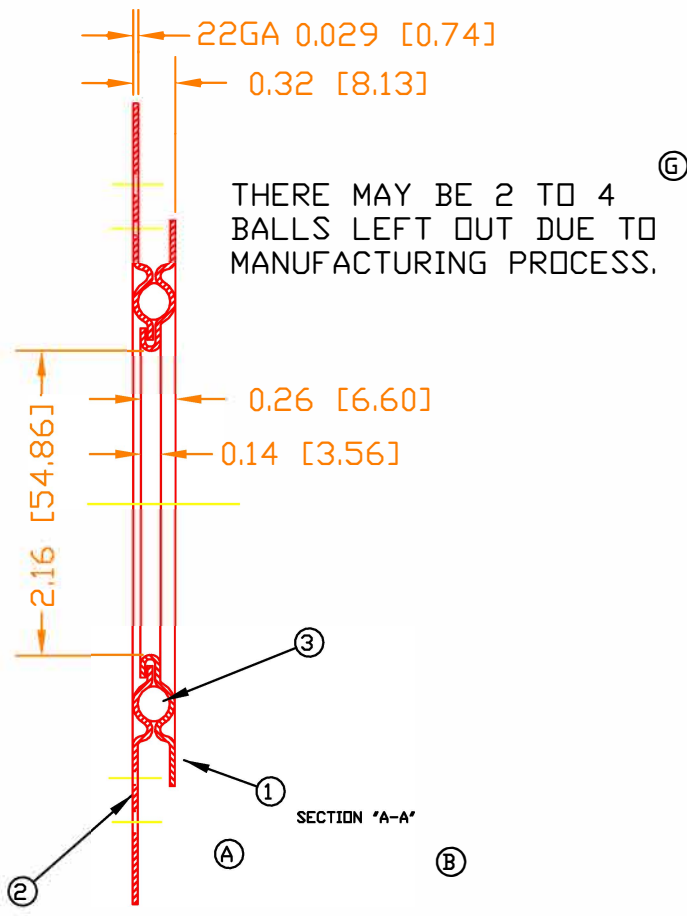
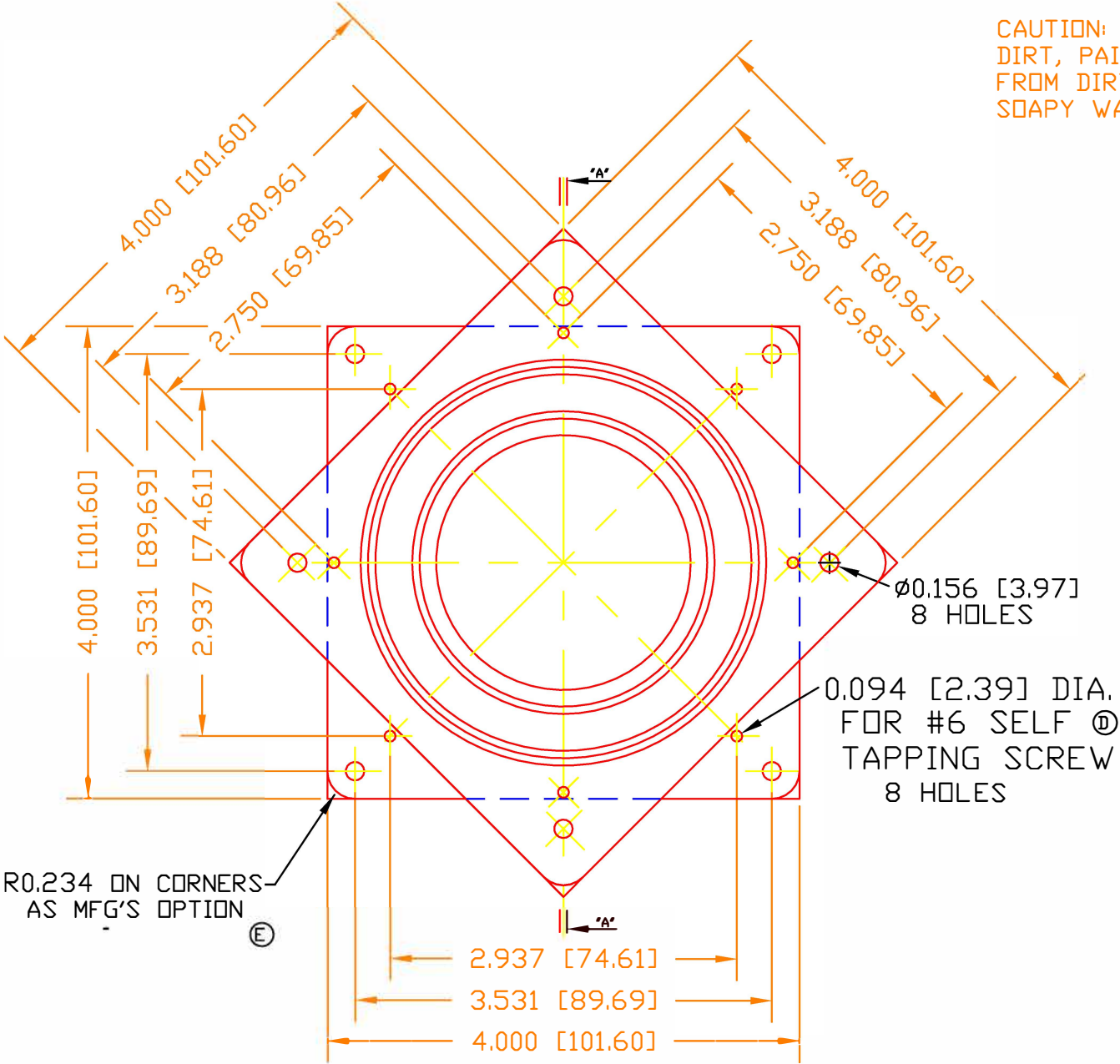
THERE MAY BE 2 TO 4  
BALLS LEFT OUT DUE TO  
MANUFACTURING PROCESS. (H)

CAUTION: PROTECT BALLS AND RACES FROM SAWDUST,  
DIRT, PAINT, ETC. SHOULD BEARING BECOME "ROUGH"  
FROM DIRTY RACES, FLUSH THOROUGHLY WITH HOT  
SOAPY WATER, RINSE, OVEN DRY AND RE-OIL.



SECTION "A-A"

CAUTION: PROTECT BALLS AND RACES FROM SAWDUST, DIRT, PAINT, ETC. SHOULD BEARING BECOME "ROUGH" FROM DIRTY RACES, FLUSH THOROUGHLY WITH HOT SOAPY WATER, RINSE, OVEN DRY AND RE-OIL.



THERE MAY BE 2 TO 4 BALLS LEFT OUT DUE TO MANUFACTURING PROCESS. (G)

R0.234 ON CORNERS AS MFG'S OPTION (E)

(C)